



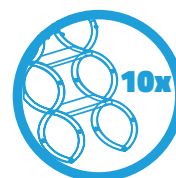
FLEX TERMO METALBOX



U_d VALUE
(W/m² * K)



**MAXIMUM
LOAD**



**STEPS
FLEX**



**YEARS
GUARANTEE**



The mark of
responsible forestry



COMPLIANCE WITH
THE STANDARD

OMAN®

CLASSIC

EI

MINI

FLEX

SOLID

LONG

FLEX TERMO METALBOX 26 mm

The FLEX TERMO METAL BOX loft ladder has got single sealing and hatch thickness 26mm. FLEX TERMO METAL BOX model is ideally suited to conditions where the attic is insulated and does not require additional thermal insulation. The FLEX stair model, thanks to the solid metal extendable „scissor” ladder, is perfect for installation in rooms up to 290 cm high. Additional model METAL BOX is equipped with metal box, which is finished with an aesthetic masking strip. The excellent quality of materials used for the production of stairs and attention to every details of finish cause that the stairs will satisfy even the most demanding customers . The maximum load during use is up to 160 kg.

Technical specification

Insulated hatch thickness	26 mm
Thickness of thermal insulation	20 mm
Hatch colour from both sides	White
Flex ladder	10 sections
Height of metal box	145 mm
Width of ladder	x50 = 290 mm x60,70 = 390 mm
Width of step	x50 = 245 mm x60,70 = 345 mm
Depth of step	80 mm
Landing space	195/200/210 cm
Opening distance/angle	220/225/230/245 cm
Maximum ceiling height	290 cm

Box dimensions [cm] AxB

70x50 80x50 90x50 100x50
70x60 80x60 90x60 100x60 110x60 120x60 130x60
70x70 80x70 90x70 100x70 110x70 120x70 130x70

Outer box dimensions, mounting opening 2 cm larger

Accessories



Masking batten

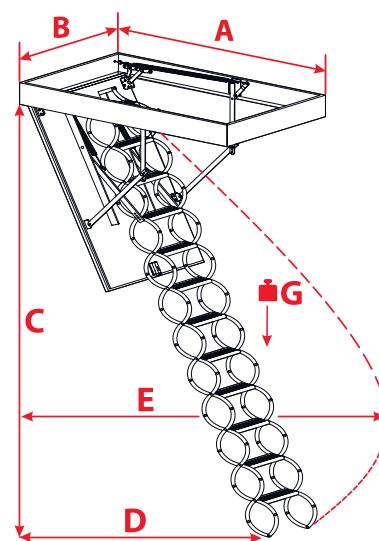


Mounting system



Hatch balustrade

Technical draw



C	290 cm
G	160 kg

A	70	80-100	110	120-130
D	200 cm	210 cm	195 cm	
E	220 cm	245 cm	225 cm	230 cm